

# Here for You

## 12 CARDS

Use the exclusive stamp set to create any of these options (enough supplies to make 12 cards total, 6 of each design)

### PROJECT 1: MAKE 6



(Project 1 option)

### PROJECT 2: MAKE 6



(Project 2 option)



### ADDITIONAL MATERIALS NEEDED

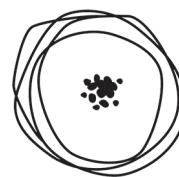
- Z2810 Blossom Exclusive Inks™ Stamp Pad
- Z2896 Smoothie Exclusive Inks™ Stamp Pad
- Z2807 Willow Exclusive Inks™ Stamp Pad
- Z2060 Thin 3-D Foam Tape

### EXCLUSIVE STAMP SET:

I'm  
HERE  
for YOU

ALWAYS KNOW...

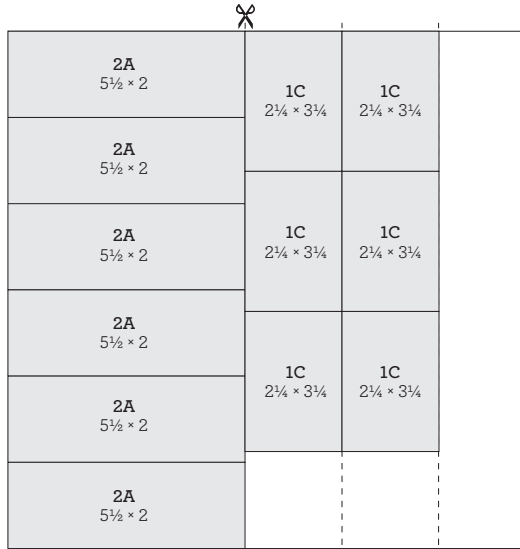
YOU'RE  
not  
ALONE



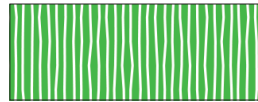
## CUTTING DIAGRAMS (1 of 2)

1. Remove all zip strips

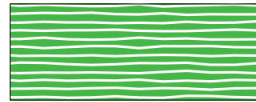
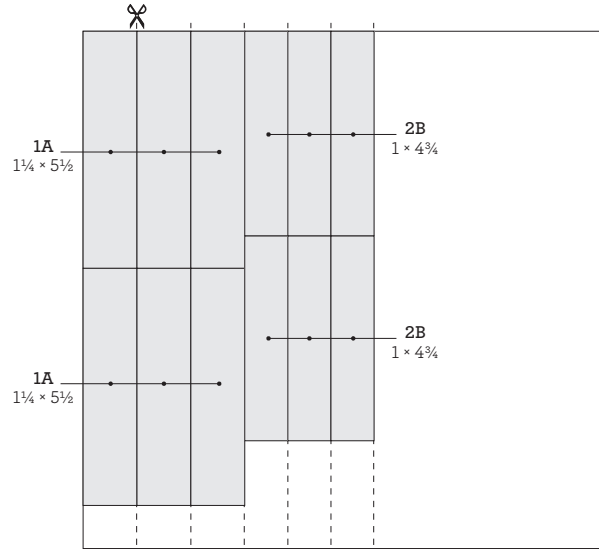
2. Follow cutting diagrams shown below (all dimensions are in inches; first cuts indicated by scissors)



Front



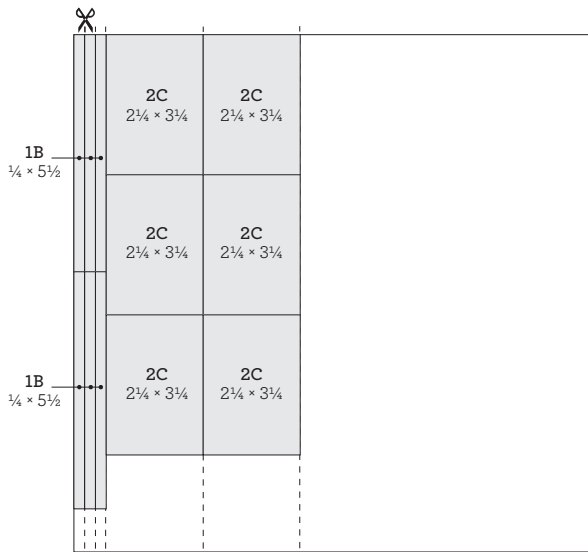
Back



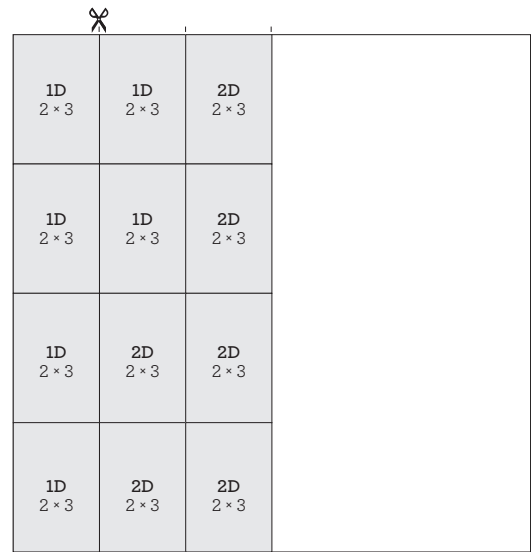
Front



Back



Blossom cardstock

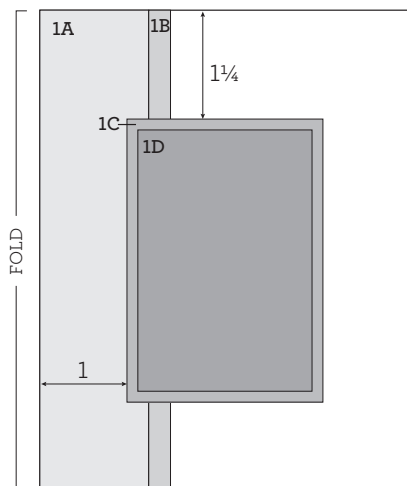


White Daisy cardstock

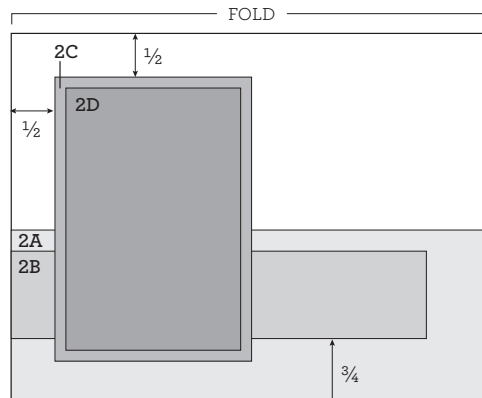
## ASSEMBLE

1. Assemble your 12 cards as desired using the patterns and options as guides
2. For additional variations, interchange stamped sentiments or use other side of paper

### PROJECT 1: VERTICAL 4¼ × 5½ CARD (MAKE 6)



### PROJECT 2: HORIZONTAL 4¼ × 5½ CARD (MAKE 6)



#### TIPS:

- Attach shimmer trim along right edge of 1B before attaching 1C
- Using Willow ink and first and second generation techniques, stamp leaf images in bottom right corner of 1D
- Using Smoothie ink, stamp “You’re Not Alone” sentiment onto 1D
- Attach 1D to 1C using thin 3-D foam tape if desired
- Using Blossom and Willow inks, stamp small lined flower image and leaf image onto card base in bottom right corner
- Using Blossom and Smoothie inks, stamp small and medium flower images onto scrap White Daisy cardstock; trim and attach using thin 3-D foam tape if desired
- Embellish card with enamel dots as desired

#### TIPS:

- Attach 2A, then using masking technique and Blossom and Smoothie inks, stamp large lined flower image and small flower images onto center of card base
- Using Willow ink and first and second generation techniques, stamp leaf images next to flowers
- Dovetail right end of 2B if desired
- Attach shimmer trim along top of 2B before attaching 2C
- Using Smoothie ink, stamp “Always Know” and “I’m Here for You” sentiments onto 2D; attach 2D with thin 3-D foam tape if desired
- Using Blossom and Smoothie inks, stamp large flower onto scrap White Daisy cardstock; trim and attach with thin 3-D foam tape if desired
- Embellish card with enamel dots as desired